

IEV Instrument Enclosure Valve

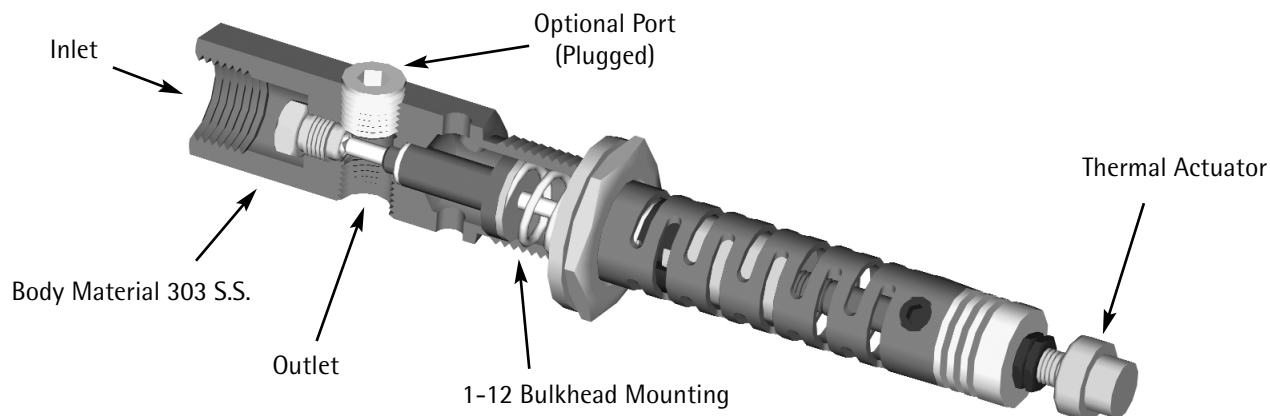
A compact steam control device providing precise, reliable and economical temperature control in instrument and analyzer enclosures.



Design Features

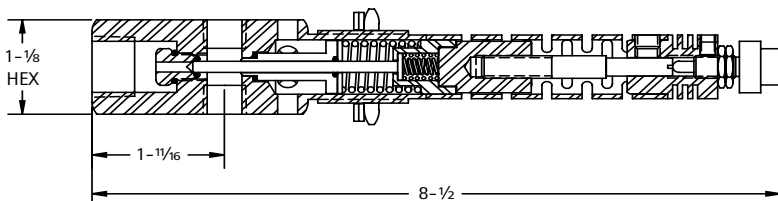
- Thermal actuator controls flow of steam as needed – eliminates danger of overheating temperature sensitive instruments or analyzers
- Provides effective freeze protection
- No explosion proof housings or other precautions needed
- Pre-calibrated actuators are interchangeable for quick easy change of enclosure temperature
- Direct acting (no pilot valve)
- High repeatability (no control point drift)
- Valve port opens gradually preventing system shock
- Range of temperature control points from 35°F to 240°F
- Maintains enclosure temperature to within $\pm 3^\circ\text{F}$ of control point over wide range of ambient temperatures and steam supply pressures
- 100% factory tested

Specification and Ordering Information

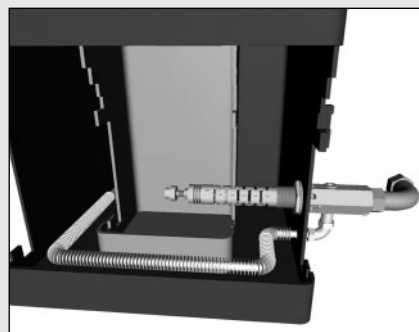


Inlet Thread NPT	Outlet Thread NPT	Maximum Operating Pressure (psig)	Maximum Operating Temperature (F°)	Max. Cv ($\pm 10\%$)	Max. Capacity Lbs/Hr. Saturated Steam at 100 psig Inlet Pressure	Range of Control Points Available (F°)	Weight (lbs)
1/2	1/4	200	450	0.2	42	35 to 240	1-1/4

- Flow coefficient Cv at set point
- To be used in saturated steam systems only
- Standard o-ring Kalrez™



IEV valve shown installed in a rigid instrument enclosure. (No special NEMA-7 or NEMA-9 housings required, even in an explosive environment.)



Note: Actuator to be mounted a minimum of 2" from heating coil.

How To Order

Insert the desired maximum enclosure temperature (control point) into IEV valve model number — (1/2 x 1/4 IEV ___ ADS).

Example: For control point of 100°F:



1/2 x 1/4	IEV	100	ADS
-----------	-----	-----	-----

Note: Valve will slowly actuate within a 15°F differential of factory calibrated specified setpoint.

The Ogontz Guarantee

We will repair or replace on a no-charge basis, F.O.B. Willow Grove, PA, any Ogontz product returned to us within 18 months, if found to be defective in material or workmanship.

2835 Terwood Road • Willow Grove, PA 19090 USA
 800/523-2478 • 215/657-4770 • Fax: 215/657-0460
www.ogontz.com • info@ogontz.com

North America • South America • Europe • Asia
 Copyright Ogontz Corporation, 2005 • Bulletin #IEV-10-05

